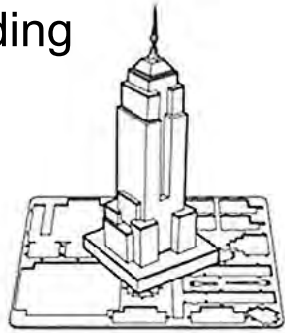
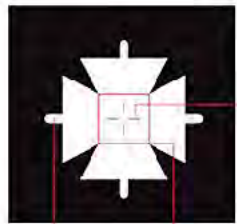
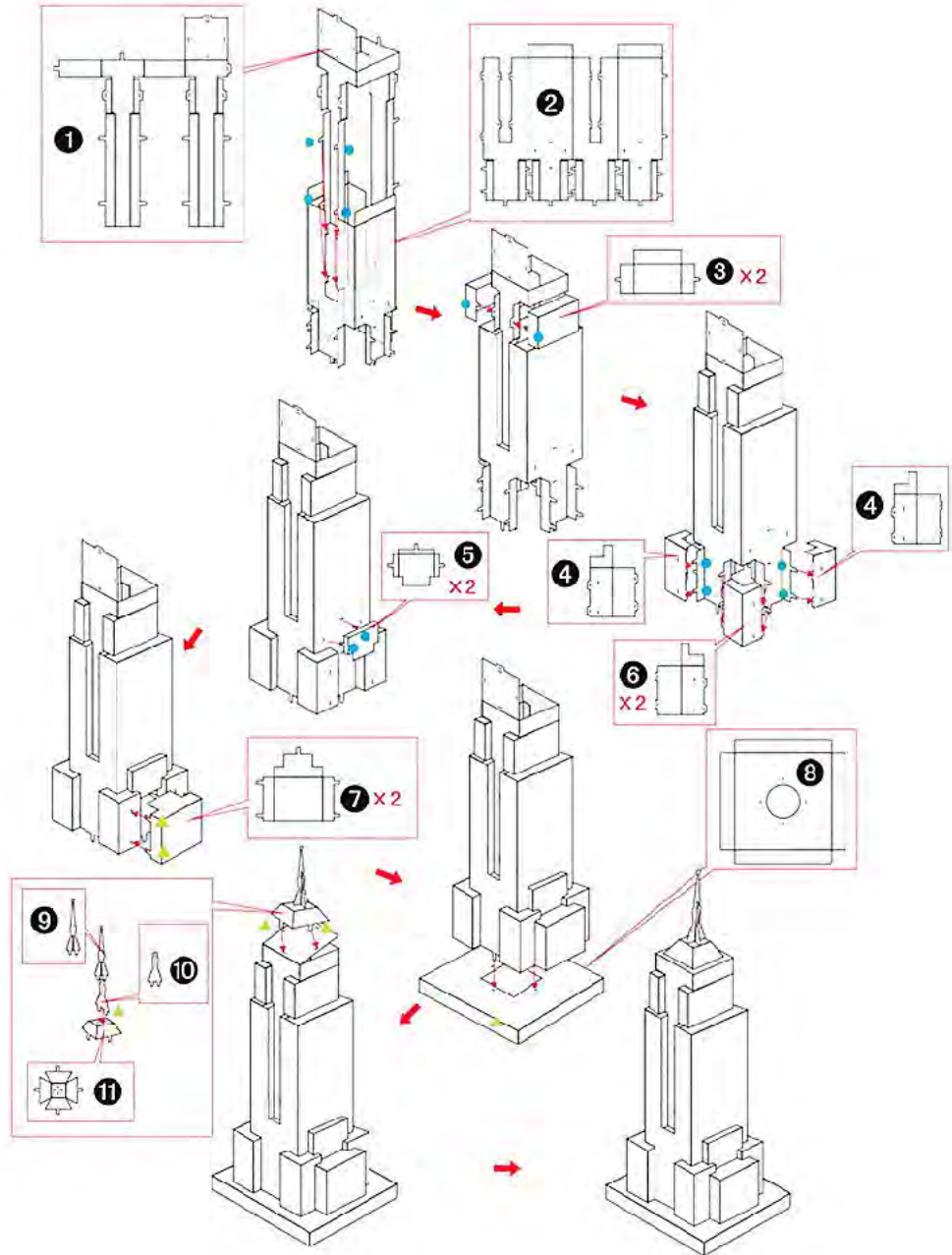


3D METAL ART

Empire State Building



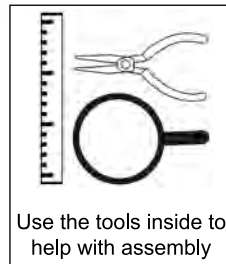
ASSEMBLY FLOW CHART



Tabs slot in here

Tabs are inserted into position and then folded to secure

Fold pieces along the scored lines



Use the tools inside to help with assembly

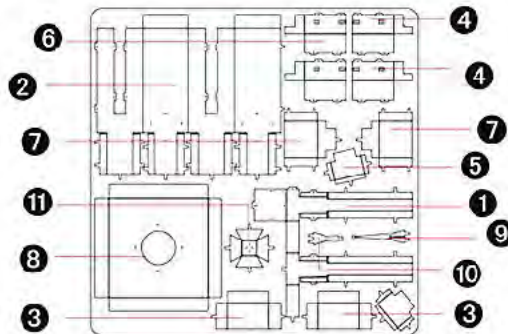
How to secure pieces

● For visible tabs; insert tab and bend 90 degrees

▲ For hidden tabs; insert tab and twist 90 degrees



Metal Sheet



SHARP EDGES AND FUNCTIONAL SHARP POINTS. DISPOSE OF METAL SHEETS AFTER PARTS HAVE BEEN REMOVED TO AVOID POSSIBLE INJURY.

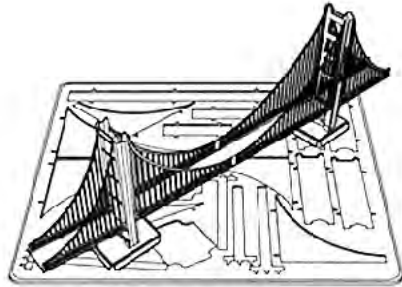


Imported and distributed by Smart Fox a brand of Koch Media.
 Koch Media, Building 1230 Waterside, Arlington Business Park, Reading, RG7 4SA.
www.smartfoxgifting.com supportsmartfox@kochmedia.com
 Colours and contents may vary from those shown. Suitable for 14 years +.
 Please retain this information for future reference.

Made in China

3D METAL ART

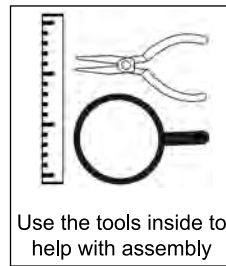
Golden Gate Bridge



Tabs slot in here

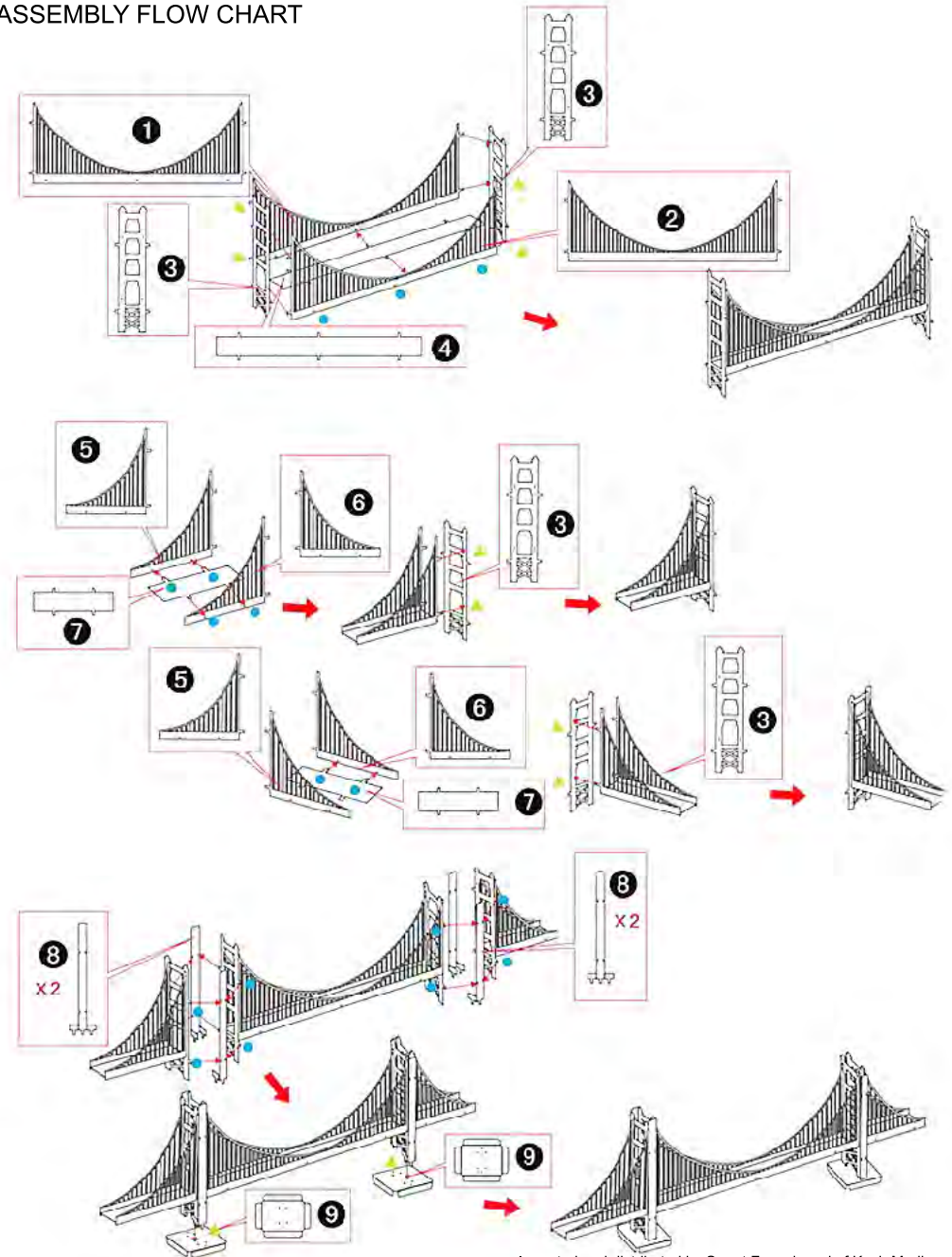
Fold pieces along the scored lines

Tabs are inserted into position and then folded to secure



Use the tools inside to help with assembly

ASSEMBLY FLOW CHART



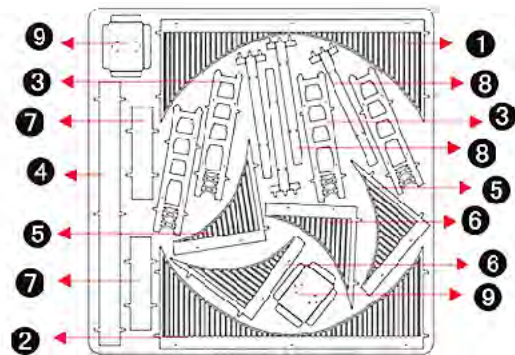
How to secure pieces

● For visible tabs; insert tab and bend 90 degrees

▲ For hidden tabs; insert tab and twist 90 degrees



Metal sheet



SHARP EDGES AND FUNCTIONAL SHARP POINTS. DISPOSE OF METAL SHEETS AFTER PARTS HAVE BEEN REMOVED TO AVOID POSSIBLE INJURY.

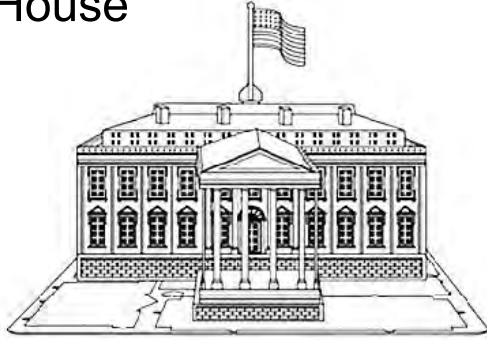


Smart Fox

Imported and distributed by Smart Fox a brand of Koch Media,
Koch Media, Building 1230 Waterside, Arlington Business Park, Reading, RG7 4SA.
www.smartfoxgifting.com supportsmartfox@kochmedia.com
Colours and contents may vary from those shown. Suitable for 14 years +.
Please retain this information for future reference.
Made in China

3D METAL ART

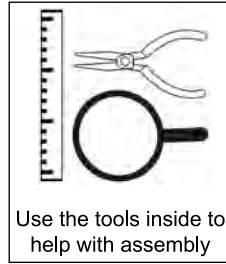
The White House



Tabs slot
in here

Fold pieces
along the
scored lines

Tabs are
inserted
into position
and then
folded to
secure

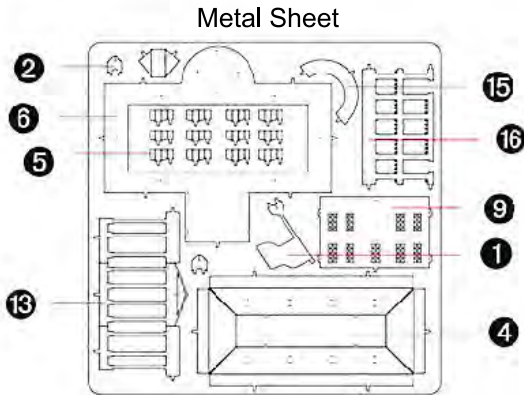


Use the tools inside to
help with assembly

How to secure pieces

● For visible tabs; insert
tab and bend 90 degrees

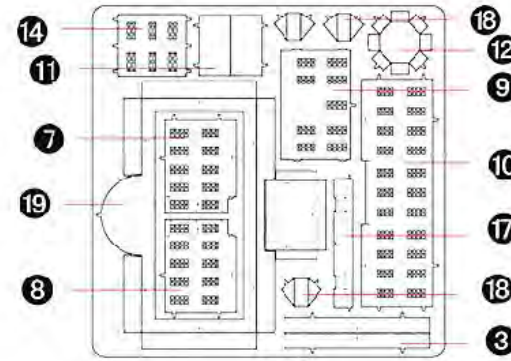
▲ For hidden tabs; insert
tab and twist 90 degrees



SHARP EDGES AND FUNCTIONAL SHARP POINTS. DISPOSE OF METAL SHEETS AFTER PARTS HAVE BEEN REMOVED TO AVOID POSSIBLE INJURY.



Metal Sheet 2



ASSEMBLY FLOW CHART

