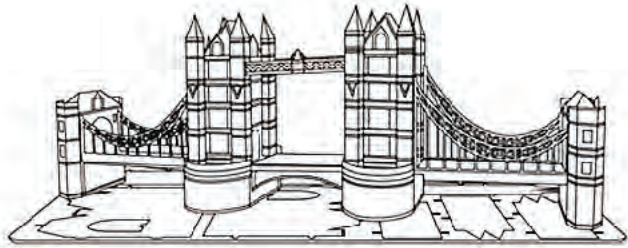


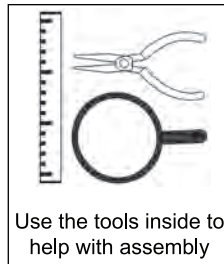
3D METAL ART

Tower Bridge



Tabs are inserted into position and then folded to secure

Tabs slot in here
Fold pieces along the scored lines

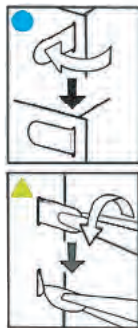


Use the tools inside to help with assembly

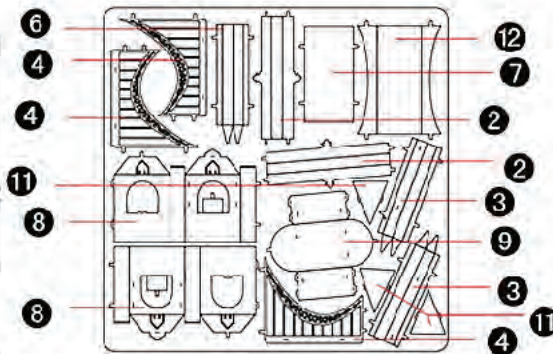
How to secure pieces

● For visible tabs; insert tab and bend 90 degrees

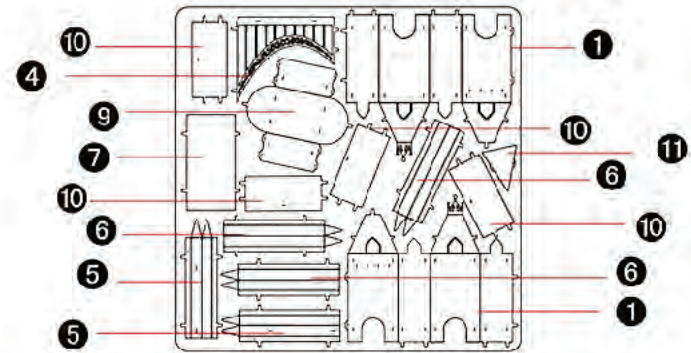
▲ For hidden tabs; insert tab and twist 90 degrees



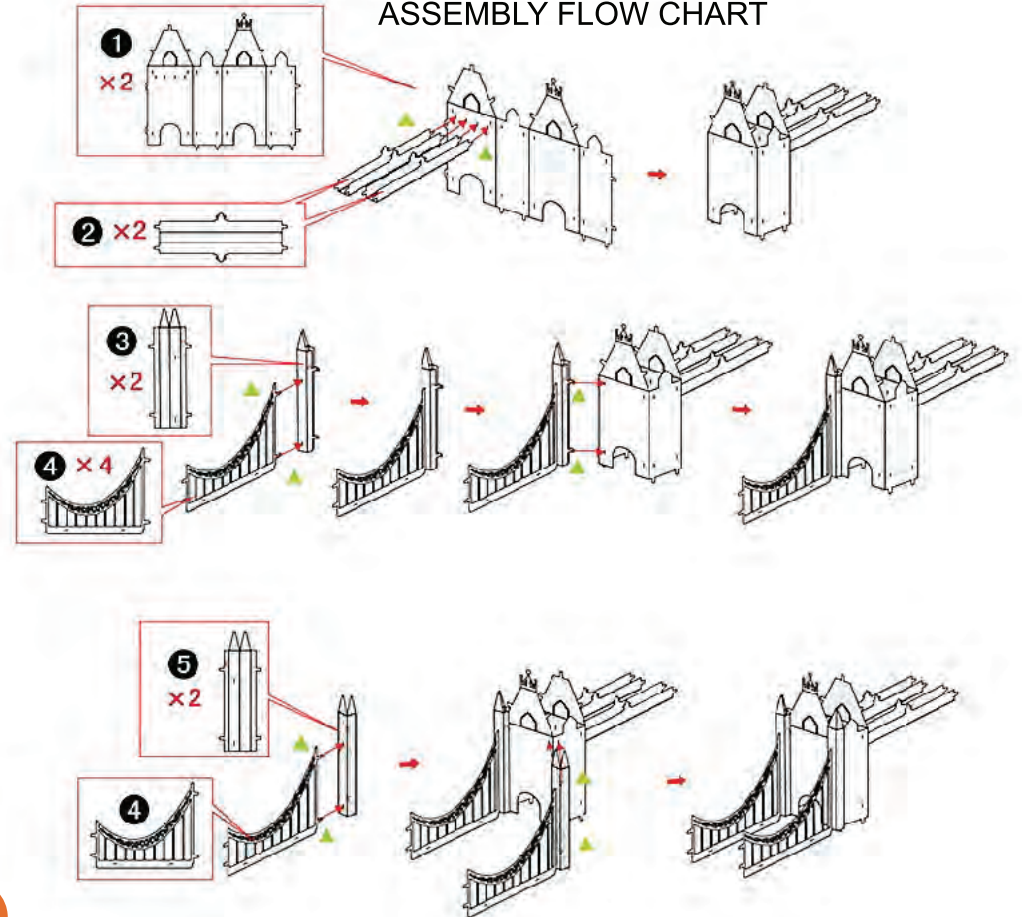
Metal Sheet 1



Metal Sheet 2

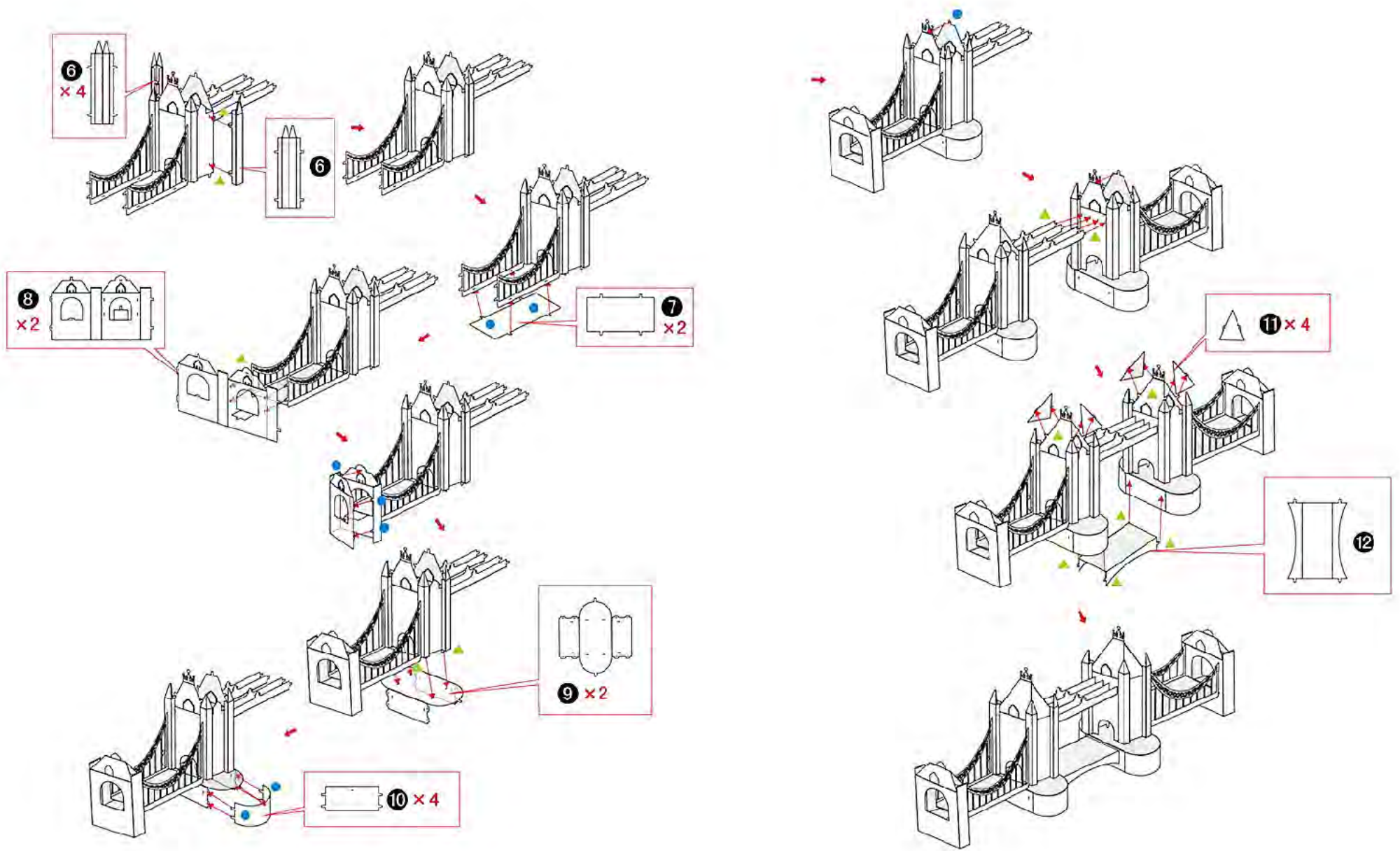


ASSEMBLY FLOW CHART



SHARP EDGES AND FUNCTIONAL SHARP POINTS. DISPOSE OF METAL SHEETS AFTER PARTS HAVE BEEN REMOVED TO AVOID POSSIBLE INJURY.

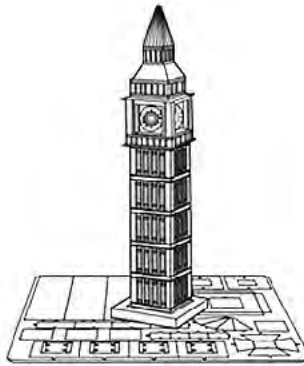




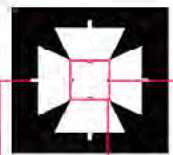
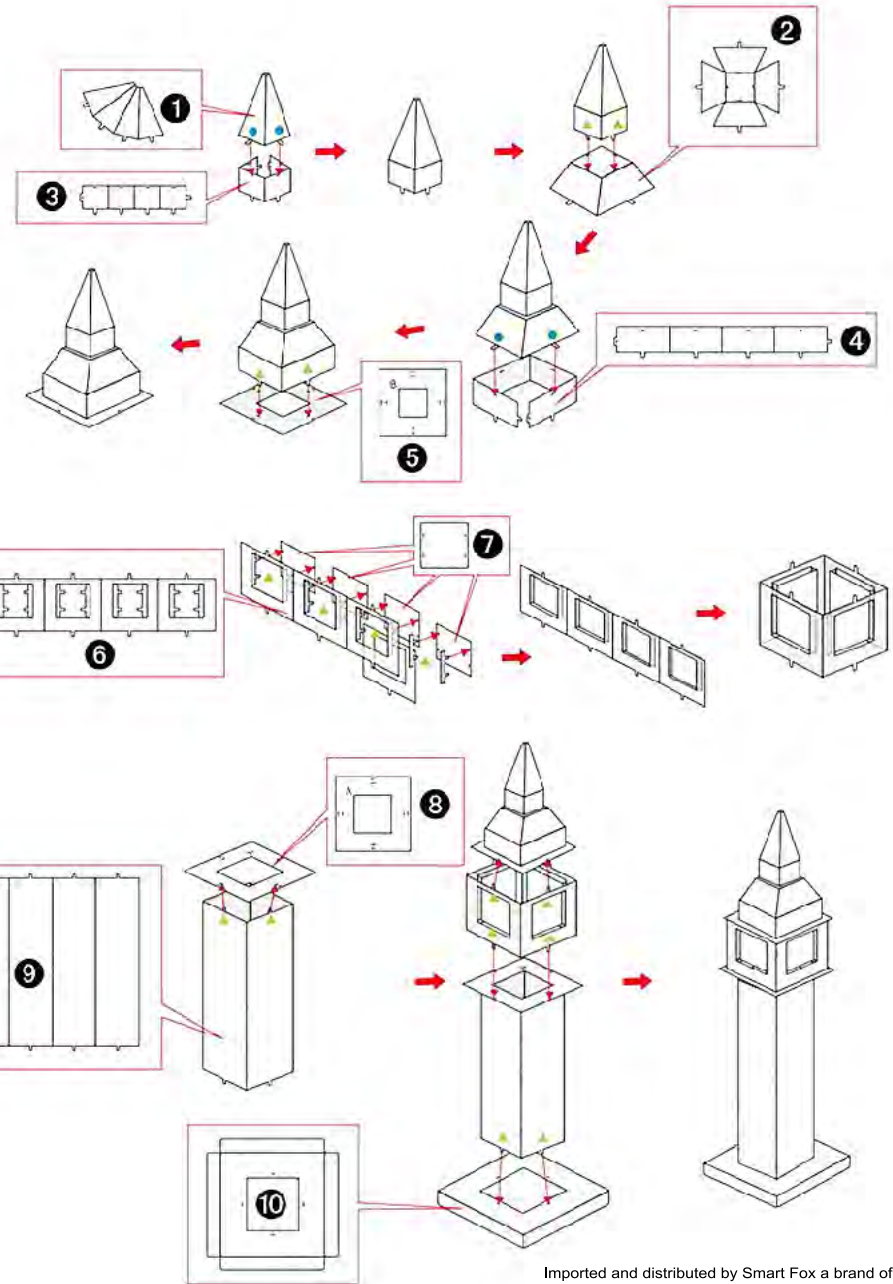
Imported and distributed by Smart Fox a brand of Koch Media.
 Koch Media, Building 1230 Waterside, Arlington Business Park, Reading, RG7 4SA.
www.smartfoxgifting.com supportsmartfox@kochmedia.com
 Colours and contents may vary from those shown. Suitable for 14 years +.
 Please retain this information for future reference.

3D METAL ART

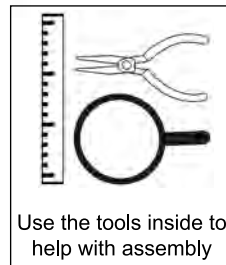
Big Ben



ASSEMBLY FLOW CHART





Tabs are inserted into position and then folded to secure
 Fold pieces along the scored lines
 Tabs slot in here

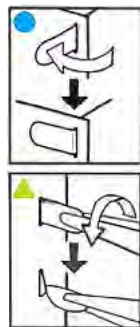


Use the tools inside to help with assembly

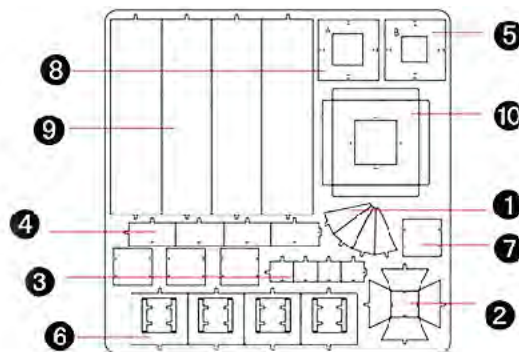
How to secure pieces

 For visible tabs; insert tab and bend 90 degrees

 For hidden tabs; insert tab and twist 90 degrees



Metal sheet



SHARP EDGES AND FUNCTIONAL SHARP POINTS. DISPOSE OF METAL SHEETS AFTER PARTS HAVE BEEN REMOVED TO AVOID POSSIBLE INJURY.

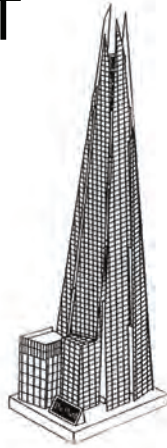


Imported and distributed by Smart Fox a brand of Koch Media.
 Koch Media, Building 1230 Waterside, Arlington Business Park, Reading, RG7 4SA.
www.smartfoxgifting.com supportsmartfox@kochmedia.com
 Colours and contents may vary from those shown. Suitable for 14 years +.
 Please retain this information for future reference.

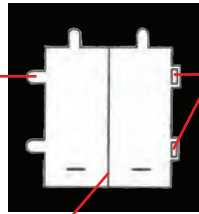
Made in China

3D METAL ART

The Shard

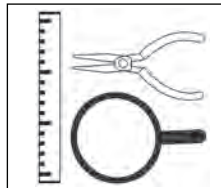


Tabs are inserted into position and then folded to secure



Tabs slot in here

Fold pieces along the scored lines



Use the tools inside to help with assembly

How to secure pieces

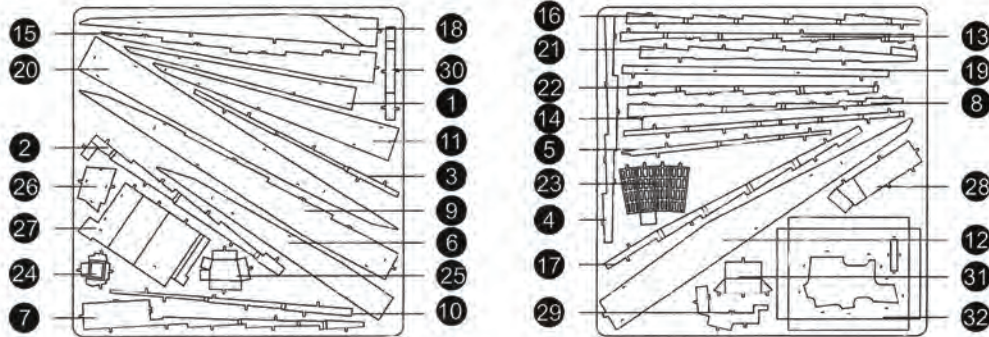
● For visible tabs; insert tab and bend 90 degrees



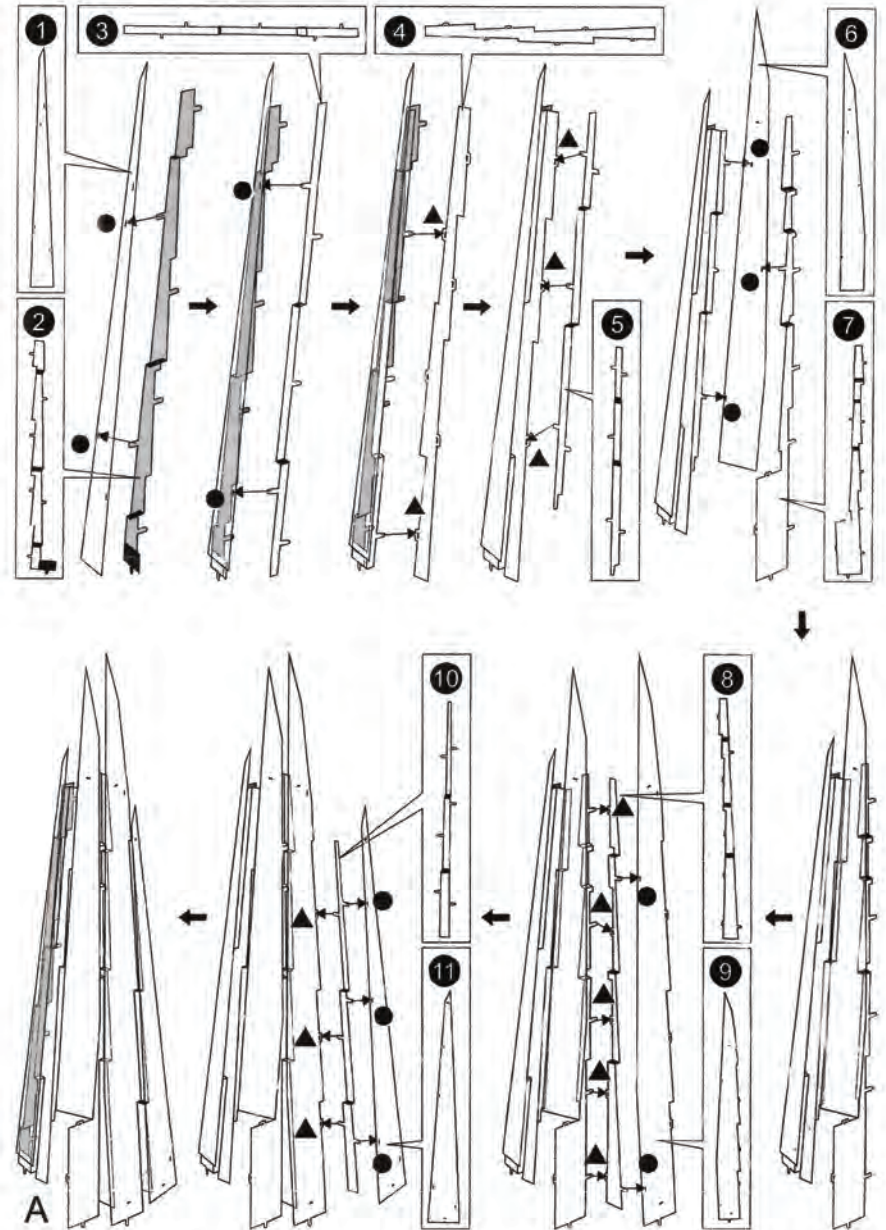
▲ For hidden tabs; insert tab and twist 90 degrees



Metal Sheets

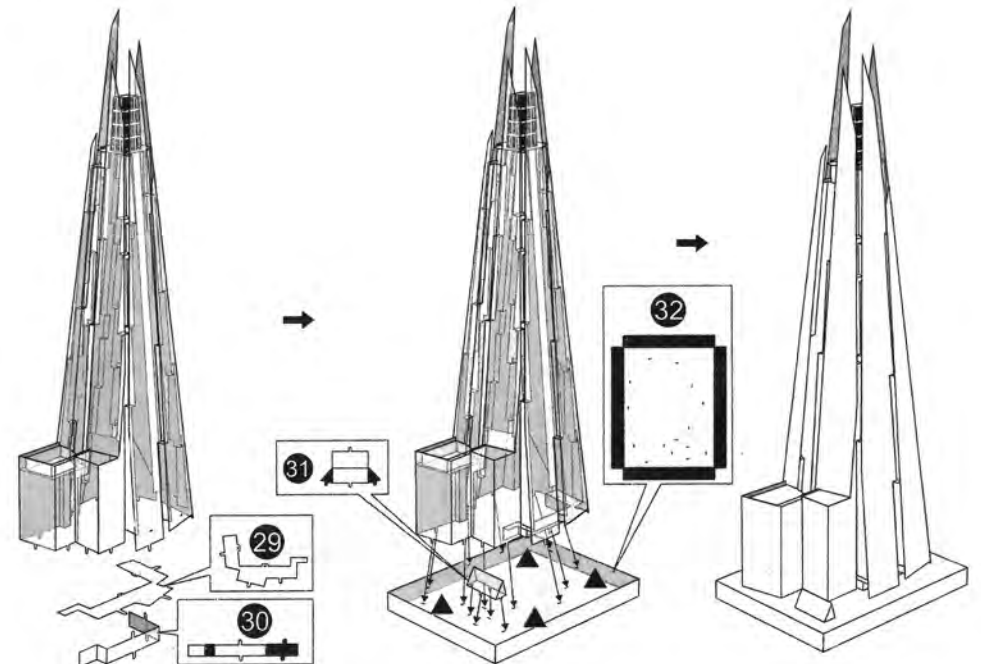
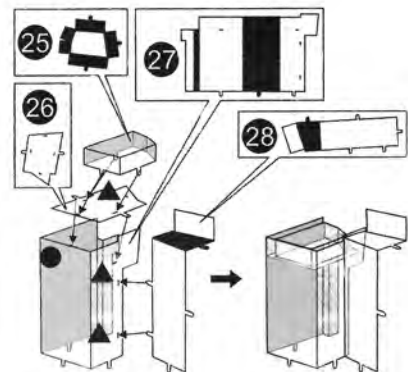
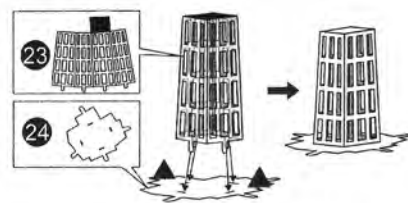
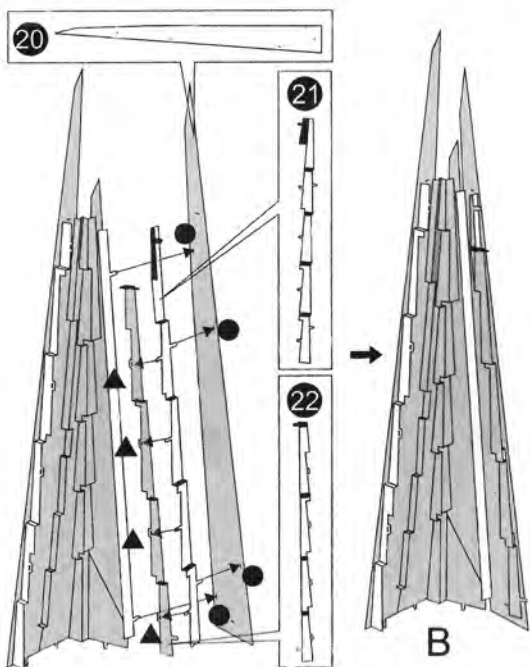
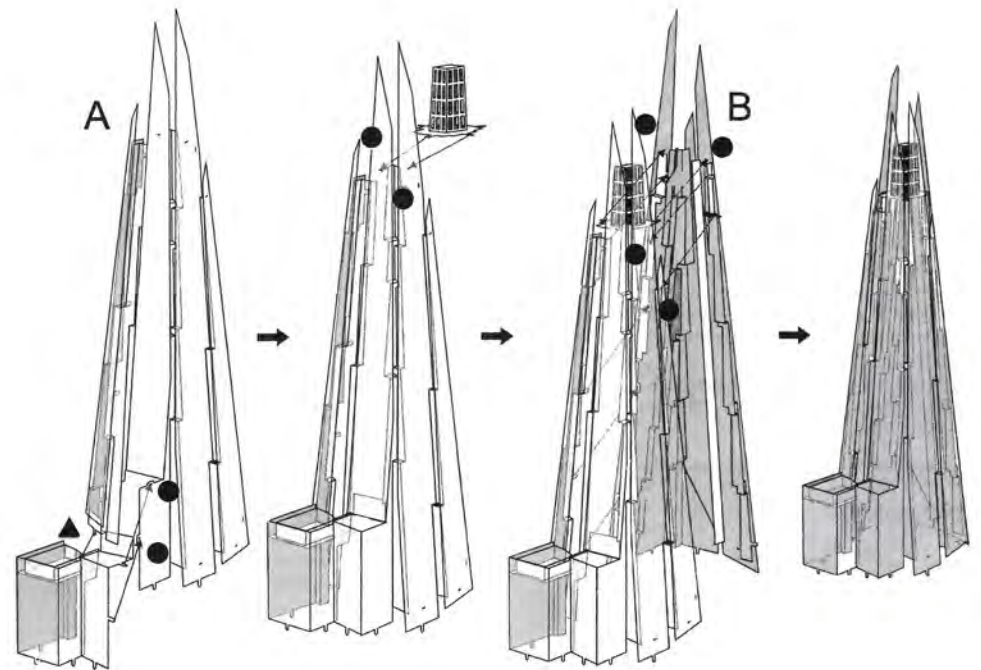
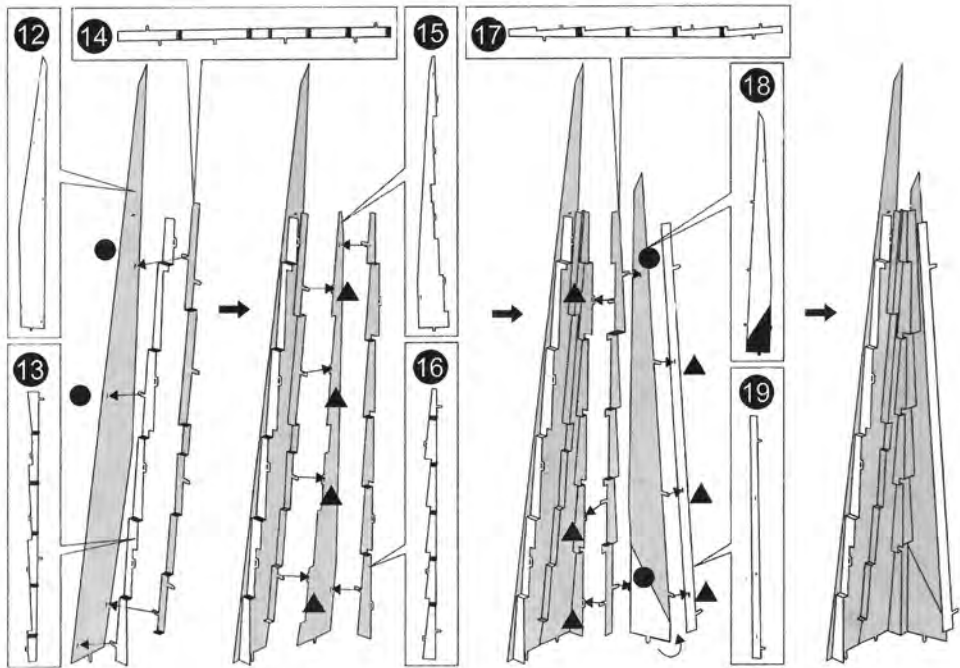


ASSEMBLY FLOW CHART



SHARP EDGES AND FUNCTIONAL SHARP POINTS. DISPOSE OF METAL SHEETS AFTER PARTS HAVE BEEN REMOVED TO AVOID POSSIBLE INJURY.





Imported and distributed by Smart Fox a brand of Koch Media.
 Koch Media, Building 1230 Waterside, Arlington Business Park, Reading, RG7 4SA.
www.smartfoxgifting.com supportsmartfox@kochmedia.com
 Colours and contents may vary from those shown. Suitable for 14 years +.
 Please retain this information for future reference.